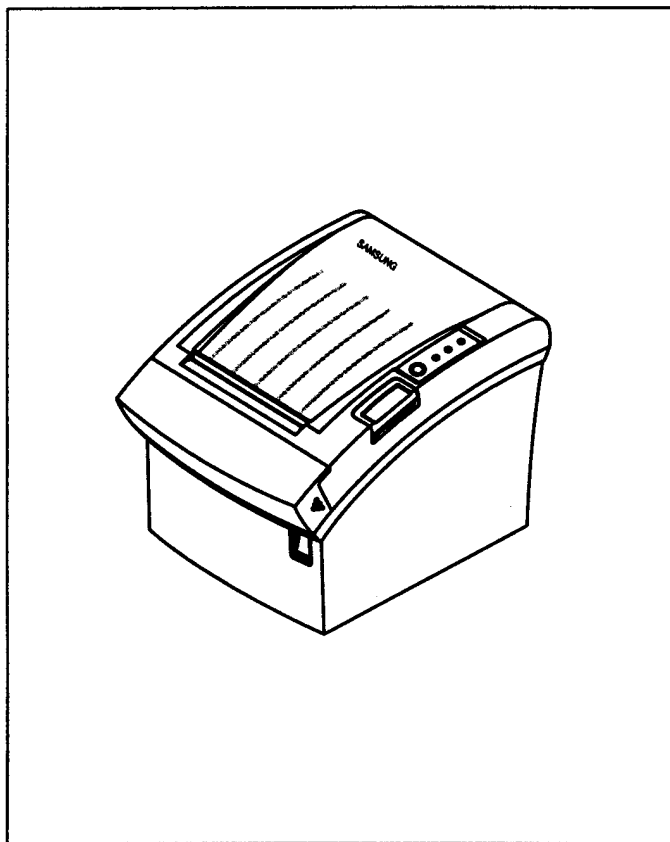


SAMSUNG

THERMAL RECEIPT PRINTER SRP - 350U

SERVICE *Manual*

THERMAL RECEIPT PRINTER



CONTENTS

1. **Precaution Statements**
2. **Product Specification**
3. **Installation and Operation**
4. **Disassembly and Assembly**
5. **Maintenance and Adjustment**
6. **Reference Information**
7. **Special Circuit Descriptions**
8. **Troubleshooting**
9. **Exploded Views and Parts List**
10. **PCB Layout and Parts List**
11. **Block Diagram**
12. **Wiring Diagram**
13. **Schematic Diagrams**

This is a “Table of Contents preview” for quality assurance

The full manual can be purchased from our store:

[https://the-checkout-tech.com/manuals/Samsung/SRP-350U service manual.html](https://the-checkout-tech.com/manuals/Samsung/SRP-350U%20service%20manual.html)

And our free Online Keysheet maker:

<https://the-checkout-tech.com/Cash-Register-Keysheet-Creator/>

[HTTPS://THE-CHECKOUT-TECH.COM](https://THE-CHECKOUT-TECH.COM)